

FLOOR CONSTRUCTIONS

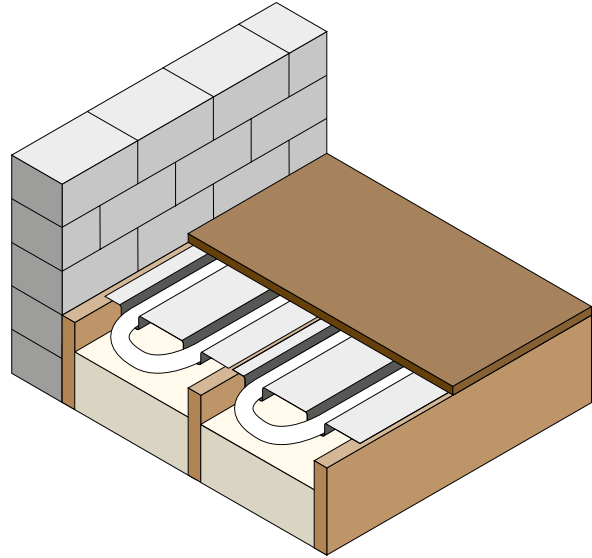
Suspended Floors - Heat Emission Plates

Overview

Maincor Aluminium Heat Emission Plates are supported by the joists (400mm centres). The plates are grooved so that the underfloor heating pipework can be fitted into them. The plates diffuse the heat for an even heat distribution across the floor.

Features and Benefits

- Ideal for Underfloor Heating installations on upper floors.
- Heat Emission Plates for an even heat distribution across the floor.
- Varying pipe sizes and centres available on request to suit the project.
- Ideal for retrofit installation without disturbing the ceiling below.
- Can be used in situations with air movement in the void.



Key Components

Maincor Pipe Coils



Maincor MLCP, PE-RT/AL/PE-RT overlap welded aluminium Multi-Layer 100% barrier Composite Pipe.
Maincor PERT Pipes including internal EVOH oxygen barrier in accordance with DIN 4726.

Heat Emission Plate

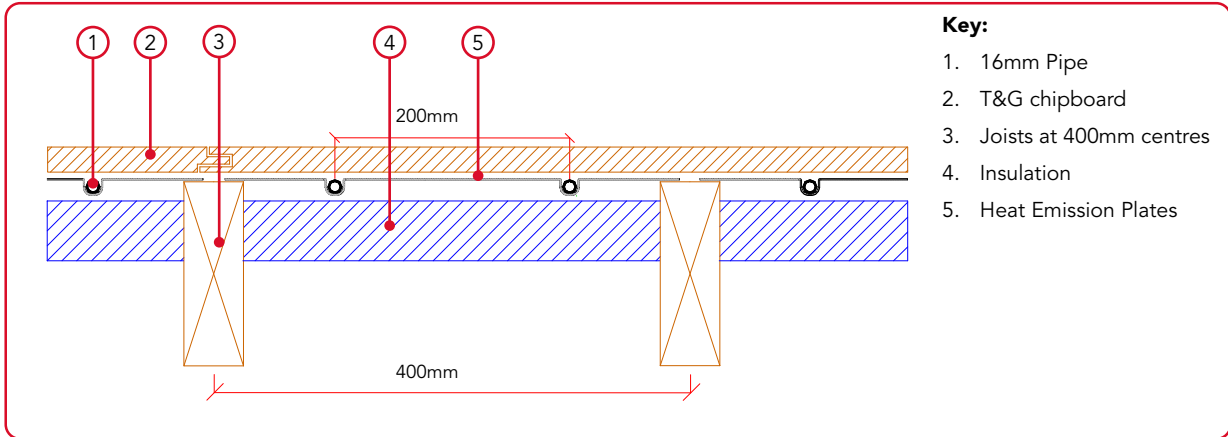


Maincor Heat Emission Plates are for use in timber suspended floors where the joists are at 400mm centres, or in floating floor applications. The plates are 390mm wide x 1m in length. Allow 2.2 plates per m² of floor area 16mm pipe at 200mm centres. Varying pipe sizes and centres available on request.

FLOOR CONSTRUCTIONS

Suspended Floors - Heat Emission Plates

Technical Details


Key:

1. 16mm Pipe
2. T&G chipboard
3. Joists at 400mm centres
4. Insulation
5. Heat Emission Plates

Heat Emission Plates

The above section shows a typical make up of a timber suspended floor utilising Maincor Heat Emission Plates. The 16mm Pipe is supported by the Heat Emission Plates which in turn are supported by the joists. The pipe work is kept at even centres of 200mm providing that the joists are laid at 400mm centres. The heat emission plates act as the heat emitter within the floor structure which acts as a large radiator under the floor.

The Heat Emission Plates are made of aluminium and are preformed to take the pipe work. It is essential that the plates do not overlap and that they are adequately fixed to ensure that there is no movement. The plates are non load bearing so care should be taken when installing. The plates include score marks which can be used as snap points for reducing the size when necessary.

Alternative Joist Centres

If the joist centres are uneven or are not at the 400mm centres then it may be possible to cross-batten which would then make it possible to use this system. Consideration needs to be given to as this method of installation will raise the floor height. Please contact a member of the Maincor team to discuss your project if you are unclear.

Insulation Requirements

Ground floor insulation is to comply with Part L of the Building Regulations. Either rigid PIR/PUR insulation panels such as Celotex or Kingspan can be used or alternatively use a mineral fibre insulation. Intermediate floors should also be insulated and thermal resistance of the insulation should be 0.75m²/KW or greater. If the room below is unheated then further insulation will be required.

Installation Overview

When installing underfloor heating systems ensure that all relevant health and safety legislation and local site regulations are fully adhered to at all times.



1. Heat emission plates laid between the joists at 400mm centres and secured using suitable fixings.



2. Roll-out the pipe into the required pattern and fit into the Heat emission plates.