

MULTI-FIT SYSTEM

Multi-Fit

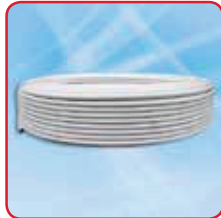
Maincor Multi-Fit provides a simple and effective way of connecting Maincor MLCP to potable plumbing systems, heating, kitchen and bathroom appliances, in fact a "go to" connector for almost any application. The most versatile connector you will ever use!

Multi-Fit connectors are simple to install, saving the installer both time and money. No special tools are required, all you need are pipe cutters, a bevelling tool and an allen key. The pipe is cut to length and bevelled at the end, the fitting is inserted into the pipe and then the allen key is used to screw the thread into place (a Maincor Multi-Fit tool is also available). Once the pipe is fully visible in the viewing window, the connection is made – simple.

Multi-Fit connectors are available in a wide range of sizes with 1/2", 3/4" and 1" compression nut connections, and are supplied with both an 'O'-ring for conical seats and a flat washer for flat face applications. The connector comes with a female thread to connect to appliances, manifolds and other connections. Multi-Fit is also fully demountable should a layout change be required to the system at a later date.

Key Components

Maincor MLCP, PE-RT/AL/PE-RT Coils



Maincor MLCP, PE-RT/AL/PE-RT, overlap welded aluminium Multi-Layer 100% barrier Composite Pipe, supplied in coils.

Available in 16, 20, 25 and 32mm.

Maincor Multi-Fit Straight Connectors



Maincor Multi-Fit Straight Connectors are a simple and effective way of connecting MLCP and plastic pipes to potable plumbing systems, heating, underfloor heating, kitchen and bathroom appliances.

Maincor MLCP, PE-RT/AL/PE-RT Straight Lengths



Maincor MLCP, PE-RT/AL/PE-RT, overlap welded aluminium Multi-Layer 100% barrier Composite Pipe, supplied in 5m straight lengths.

Available in 16, 20, 25 and 32mm.

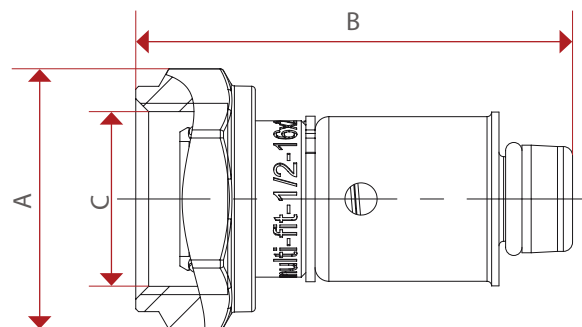
Multi-Fit Tool



Maincor Multi-Fit Tools are for use with 16, 20, 25 and 32mm Multi-Fit fittings. Alternatively, allen keys can be used to make connections (10, 14 and 19mm).

Technical Details

- Supplied with an 'O'-ring for conical seats and a washer for flat seats
- The nut and tails are manufactured in nickel-plated brass
- Threads to ISO228 (equivalent to DIN EN ISO 228 and BS EN ISO 228).
- Maximum working pressure of 10 Bar
- Suitable for working temperatures between -10°C and 95°C



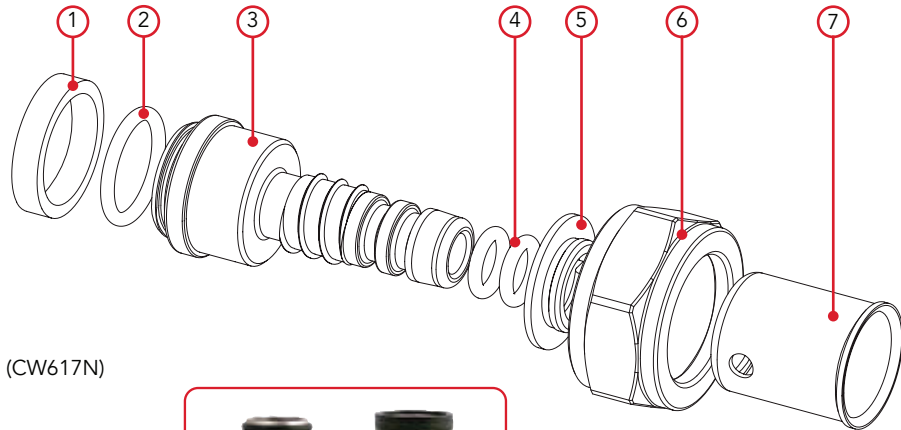
Dimensions

	1/2"		3/4"			1"	
	16x2	20x2.25	16x2	20x2.25	25x2.5	25x2.5	32x3
A (mm)	28.3	28.3	33	33	33	40.5	40.5
B (mm)	47.5	46	48.5	47	52	58.5	63
C (mm)	1/2"	1/2"	3/4"	3/4"	3/4"	1"	1"

MULTI-FIT SYSTEM

Technical Details

Fitting Construction



1. Washer, NBR
2. O-Ring, NBR
3. Tail, Nickel Plated Brass (CW617N)
4. O-Ring, NBR
5. Ring, Nylon
6. Nut, Nickel Plated Brass (CW617N)
7. Outside Liner, Stainless Steel AISI 304



The fittings are supplied with both an O-ring for conical seats and a flat washer for flat seats

Installation Overview

When installing plumbing systems ensure that all relevant health and safety legislation and local site regulations are fully adhered to at all times.



1. Cut the pipe.



2. Bevel the cut end of the pipe.



3. Insert the fitting into the bevelled end of the pipe.



4. Fitting positioned on the end of the pipe - note there is no pipe in the viewing window.



5. Use the allen key to screw the thread into the pipe.



6. Once the pipe is fully visible in the viewing window the connection is made. The fitting can be removed by reversing the process.

Always check the inside of the pipe after bevelling to ensure there is no plastic waste from the bevelling process present. If using a drill when bevelling the pipe, ensure the max revolutions are less than 500/min and allow tooling to cool between each procedure.